

HYDROFRESH

automatic booster systems

PERFORMANCE RANGE

Flow rate up to 9600 l/h (9.6 m³/h)
Dynamic head up to 80 m
Performance up to 3 flats

CONSTRUCTION AND SAFETY STANDARDS:

EN 60 335-1
IEC 335-1
CEI 61-150

EN 60034-1
IEC 34-1
CEI 2-3



PUMP INSTALLATION AND APPLICATIONS

THESE SMALL AUTOMATIC BOOSTER SYSTEMS ARE SUITABLE FOR DISTRIBUTING WATER UNDER PRESSURE IN RESIDENTIAL HOUSING AND SMALL-SCALE AGRICULTURAL APPLICATIONS. THEIR SPECIAL OPERATING SYSTEM MAKES THEM AN APPROPRIATE SOLUTION IN ALL CASES WHERE WATER FLOW RATES DO NOT ENSURE SUITABLE OPERATING PRESSURES. **HYDROFRESH** units are designed to meet specific requirements for: **reliability, low purchase cost and low operating cost, safety, ease of installation** all units are supplied pre-assembled, complete with all electrical and water connections, ready for installation.

WARRANTY: 2 YEARS (according to our general sales conditions).

PERFORMANCE DATA AT n= 2900 1/min

HYDROFRESH		POWER		TANK CAPACITY		MAX. OUTPUT Q (litres/h)	SUGGESTED PRESSURE * SETTING (BAR)		FLATS SERVED
		kW	HP	LITRES			minimum	maximum	
Single phase				cylindrical	spherical				
PKm 60®	/24 CL o SF	0.37	0.50	20	24	1800	1.4	2.8	1
PKm 65	/24 CL o SF	0.50	0.70	20	24	2700	1.4	2.8	1 ÷ 2
PKm 70	/24 CL o SF	0.60	0.85	20	24	2900	2.0	3.5	2
PKm 80	/24 CL o SF	0.75	1	20	24	3000	2.0	3.5	2
PKm 100	/24 CL o SF	1.1	1.5	20	24	3000	3.5	5	2
PKSm 60	/24 CL o SF	0.37	0.50	20	24	1800	1.4	2.8	1
PKSm 65	/24 CL o SF	0.50	0.70	20	24	2700	1.4	2.8	1 ÷ 2
PKSm 70	/24 CL o SF	0.60	0.85	20	24	2900	2.0	3.5	2
PKSm 80	/24 CL o SF	0.75	1	20	24	3000	2.0	3.5	2
CPm 152	/24 CL o SF	0.55	0.75	20	24	4200	1.4	2.8	1
CPm 158	/24 CL o SF	0.75	1	20	24	5400	1.4	2.8	1
CPm 170	/24 CL o SF	1.1	1.5	20	24	7200	2.0	3.5	2
CPm 170M	/24 CL o SF	1.1	1.5	20	24	8400	2.0	3.5	2
2CPm 25/130	/24 CL o SF	0.75	1	20	24	4800	1.4	2.8	1 ÷ 2
2CPm 25/140H	/24 CL o SF	1.1	1.5	20	24	5300	3.0	4.4	2
2CPm 25/140M	/24 CL o SF	1.1	1.5	20	24	6900	3.0	4.4	2
3CPm 80	/24 CL o SF	0.45	0.60	20	24	3500	1.4	2.8	1
4CPm 80	/24 CL o SF	0.60	0.85	20	24	3900	2	3.5	1 ÷ 2
3CPm 100	/24 CL o SF	0.60	0.85	20	24	6000	1.4	2.8	2
4CPm 100	/24 CL o SF	0.75	1	20	24	5800	2	3.5	2
3CRm 80	/24 CL o SF	0.45	0.60	20	24	3500	1.4	2.8	1
4CRm 80	/24 CL o SF	0.60	0.85	20	24	3900	2	3.5	1 ÷ 2
3CRm 100	/24 CL o SF	0.60	0.85	20	24	6000	1.4	2.8	2
JSWm 1C	/24 CL o SF	0.37	0.50	20	24	2400	1.4	2.8	1
JSWm 1B	/24 CL o SF	0.50	0.70	20	24	2700	1.4	2.8	1
JSWm 1A	/24 CL o SF	0.60	0.85	20	24	2800	2.0	3.5	1 ÷ 2
JSWm 10H	/24 CL o SF	0.75	1	20	24	3000	2	3.5	1 ÷ 2
JSWm 12H	/24 CL o SF	0.90	1.25	20	24	3000	2.5	4.2	1 ÷ 2
JSWm 15H	/24 CL o SF	1.1	1.5	20	24	3000	3	5	1 ÷ 2
JSWm 10M	/24 CL o SF	0.75	1	20	24	4800	1.8	3.5	2
JSWm 12M	/24 CL o SF	0.90	1.25	20	24	4800	2	4	2
JSWm 15M	/24 CL o SF	1.1	1.5	20	24	4800	2.5	4.3	2
JSWm 3CH	/24 CL o SF	1.1	1.5	20	24	4200	3.0	4.4	2
JSWm 3CM	/24 CL o SF	1.1	1.5	20	24	7200	2.0	3.5	2 ÷ 3
JSWm 3CL	/24 CL o SF	1.1	1.5	20	24	9600	1.4	2.8	2 ÷ 3
JCRm 1C	/24 CL o SF	0.37	0.50	20	24	2400	1.4	2.8	1
JCRm 1B	/24 CL o SF	0.50	0.70	20	24	2700	1.4	2.8	1
JCRm 1A	/24 CL o SF	0.60	0.85	20	24	2800	2.0	3.5	1 ÷ 2
JCRm 10H	/24 CL o SF	0.75	1	20	24	3000	2	3.5	1 ÷ 2
JCRm 12H	/24 CL o SF	0.90	1.25	20	24	3000	2.5	4.2	1 ÷ 2
JCRm 15H	/24 CL o SF	1.1	1.5	20	24	3000	3	5	1 ÷ 2
JCRm 10M	/24 CL o SF	0.75	1	20	24	4800	1.8	3.5	2
JCRm 12M	/24 CL o SF	0.90	1.25	20	24	4800	2	4	2
JCRm 15M	/24 CL o SF	1.1	1.5	20	24	4800	2.5	4.3	2

N.B. The pre-filling with air of the membrane tanks is regulated by the surge tank group set to a value 0.2 bar less than the minimum setting of the pressure switch.
"Square D" Adjustable pressure switch (1.4 ÷ 2.8 bar pre-setted)

→ for details of pumps, please refer to the pages in this catalogue which feature the relevant pump type.

HYDROFRESH / 24CL (cylindrical tank)



classical version

HYDROFRESH / 24SF (spherical tank)



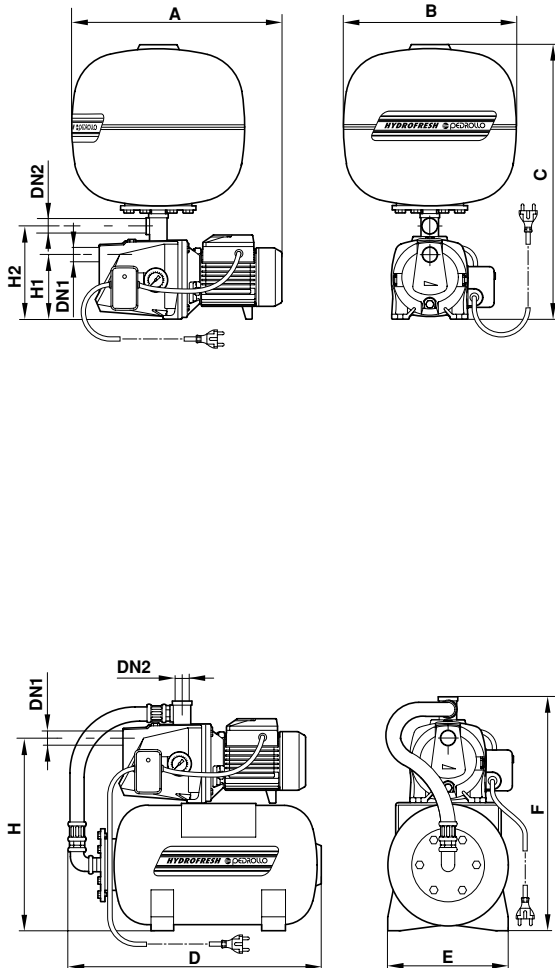
economical version

HYDROFRESH / 24 CL COMPONENTS

- WATER PUMP.
- 20 litres **CYLINDRICAL TANK** with membrane.
- 500 mm **FLEXIBLE HOSE**.
- Adjustable Square D **PRESSURE SWITCH** (preset at 1.4 - 2.8 bar).
- **PRESSURE GAUGE**.
- 3/5 way brass **CONNECTOR**.
- 1.5 m **SUPPLY CABLE** with Schuko plug.

HYDROFRESH / 24 SF COMPONENTS

- WATER PUMP.
- 24 litres **SPHERICAL TANK** with membrane.
- Adjustable Square D **PRESSURE SWITCH** (preset at 1.4 - 2.8 bar).
- **PRESSURE GAUGE**.
- 3/5 way brass **CONNECTOR**.
- 1.5 m **SUPPLY CABLE** with Schuko plug.



PUMP MODEL Single phase	DIMENSIONS mm									DN1	DN2
	A	B	C	D	E	F	H	H1	H2		
PKm 60 [®] / 24	381	360	513	540	255	475	338	63	168	1"	1"
PKm 65 / 24	389	360	518	540	255	480	338	63	173	1"	1"
PKm 70-80 / 24	409	360	531	540	255	490	346	71	186	1"	1"
PKm 100 / 24	447	360	549	540	255	510	355	80	204	1"	1"
PKSm 60 / 24	381	360	565	540	255	540	426	156	220	1"	1"
PKSm 65 / 24	389	360	565	540	255	540	426	156	220	1"	1"
PKSm 70-80 / 24	409	360	577	540	255	550	434	164	232	1"	1"
CPm 152-158 / 24	434	360	617	540	255	580	372	92	272	1"	1"
CPm 170-170M/ 24	470	360	635	540	255	595	385	110	290	1 1/4"	1"
2CPm 25/130 / 24	441	360	588	540	255	550	364	89	243	1 1/4"	1"
2CPm 25/140H / 24	462	360	599	540	255	562	368	93	254	1 1/4"	1"
2CPm 25/140M/ 24	462	360	599	540	255	562	368	93	254	1 1/2"	1"
3CPm 80 / 24	401	360	550	540	255	510	409	134	205	1"	1"
4CPm 80 / 24	408	360	550	540	255	510	409	134	205	1"	1"
3CPm 100 / 24	408	360	550	540	255	510	409	134	205	1"	1"
4CPm 100 / 24	423	360	550	540	255	510	409	134	205	1"	1"
3CRm 80 / 24	435	360	548	540	255	509	397	122	204	1"	1"
4CRm 80 / 24	443	360	548	540	255	509	397	122	204	1"	1"
3CRm 100 / 24	423	360	548	540	255	509	397	122	204	1"	1"
JSWm 1C-1B / 24	434	360	536	540	265	497	402	127	192	1"	1"
JSWm 1A / 24	441	360	536	540	265	497	402	127	192	1"	1"
JSWm 10H / 24	460	360	555	540	315	515	422	147	210	1"	1"
JSWm 12H / 24	460	360	555	540	315	515	422	147	210	1"	1"
JSWm 15H / 24	460	360	555	540	315	515	422	147	210	1"	1"
JSWm 10M / 24	460	360	555	540	315	515	422	147	210	1"	1"
JSWm 12M / 24	460	360	555	540	315	515	422	147	210	1"	1"
JSWm 15M / 24	460	360	555	540	315	515	422	147	210	1"	1"
JSWm 3CH / 24	522	360	583	540	290	545	440	165	238	1 1/4"	1"
JSWm 3CM / 24	522	360	583	540	290	545	440	165	238	1 1/4"	1"
JSWm 3CL / 24	522	360	583	540	290	545	440	165	238	1 1/4"	1"
JCRm 1C-1B / 24	435	360	548	540	255	509	397	122	204	1"	1"
JCRm 1A / 24	443	360	548	540	255	509	397	122	204	1"	1"
JCRm 10H / 24	460	360	579	540	255	539	420	145	208	1 1/4"	1"
JCRm 12H / 24	460	360	579	540	255	539	420	145	208	1 1/4"	1"
JCRm 15H / 24	460	360	579	540	255	539	420	145	208	1 1/4"	1"
JCRm 10M / 24	460	360	579	540	255	539	420	145	208	1 1/4"	1"
JCRm 12M / 24	460	360	579	540	255	539	420	145	208	1 1/4"	1"
JCRm 15M / 24	460	360	579	540	255	539	420	145	208	1 1/4"	1"