

CO SERIES

THREADED CENTRIFUGAL PUMPS WITH OPEN IMPELLER

These pumps combine the advantages of an open impeller with those of the AISI 316 stainless steel construction, which is particularly suited for handling moderately aggressive liquids with suspended solids.

- ❑ **ALL COMPONENTS IN CONTACT WITH PUMPED LIQUID ARE MADE OF AISI 316L STAINLESS STEEL**
- ❑ **MECHANICAL SEAL MADE OF SILICON CARBIDE/SILICON CARBIDE/FPM IN THE "K" VERSION**

APPLICATIONS

- Washing and surface treatment of metal parts.
- Washing of foodstuffs, produce, fish and shellfish.
- Oil and cleaner circulation systems.
- Machine tool cooling fluid circulation systems.
- Commercial dishwashers.
- Industrial washing machines.

SPECIFICATIONS

- **Open impeller handles solids up to 20 mm in diameter (10 mm for CO350 series pumps).**
- **Delivery up to 900 l/min (54m³/h).**
- **Head up to 24 m.**
- **Maximum operating pressure: 8 bar.**
- **Continuous duty.**
- **Temperature of pumped liquid: -10°C to +110°C.**
- Enclosed motor with external ventilation and aluminium alloy finned casing.
- Versions:
 - **Single-phase** 220-240 V 50 Hz, permanently connected capacitor and built-in automatic reset overload protection up to 1,5 kW.
 - **Three-phase** 220-240/380-415 V 50 Hz, overload protection to be provided by user.
- **Power up to 3 kW.**
- **Class F Insulation.**
- **IP 55 protection.**



TABLE OF MATERIALS

PART	MATERIAL
Pump body, Flange, Seal-housing disk, Impeller	STAINLESS STEEL (AISI 316L - DIN 1.4404)
Shaft extension, Fill and drain plugs	STAINLESS STEEL (AISI 316 - DIN 1.4401)
Standard mechanical seal	CARBON/CERAMIC/FPM
"K" version mechanical seal	SILICON CARBIDE/SILICON CARBIDE/FPM
O-rings seals	FPM

* Bare shaft version available
* 2 and 4 poles motor available

CO350 SERIES HYDRAULIC PERFORMANCE TABLE AT 2850 rpm 50 Hz

PUMP TYPE	RATED POWER		Q = DELIVERY																		
			l/min	0	100	120	160	200	240	280	300	350	375	400	450	500	600	650	700	800	900
			m ³ /h	0	6	7.2	9.6	12	14.4	16.8	18	21	22.5	24	27	30	36	39	42	48	54
		kW	HP	H = TOTAL HEAD METERS COLUMN OF WATER																	
CO(M) 350/03	0.37	0.5	9.0	6.5	6.1	5.4	4.7	4.0	3.3	3.0											
CO(M) 350/05	0.55	0.75	12.0	9.2	8.8	7.9	7.1	6.3	5.5	5.1	4.0										
CO(M) 350/07	0.75	1	13.7	11.2	10.8	9.9	9.1	8.2	7.4	6.9	5.8	5.3									
CO(M) 350/09	0.9	1.2	15.7	12.7	12.2	11.3	10.5	9.6	8.8	8.3	7.2	6.6	5.9								
CO(M) 350/11	1.1	0.5	17.3	14.3	13.8	12.9	12.0	11.2	10.5	10.1	9.1	8.6	8.0	6.8							
CO(M) 350/15	1.5	2	20.3	16.9	16.4	15.3	14.4	13.5	12.7	12.2	11.2	10.6	10.0	8.7	7.2						
CO(M) 500/15	1.5	2	16.0				13.4	12.8	12.3	12.0	11.3	10.9	10.5	9.8	9.0	7.4	6.6	5.8			
CO(M) 500/22	2.2	3	19.6				17.3	16.7	16.2	15.9	15.2	14.9	14.5	13.7	13.0	11.3	10.4	9.6	7.7		
CO 500/30	3	4	24.1				20.9	20.3	19.3	19.3	18.5	18.1	17.7	16.9	16.0	14.3	13.5	12.6	10.8	9.0	

co-2p50_a_th

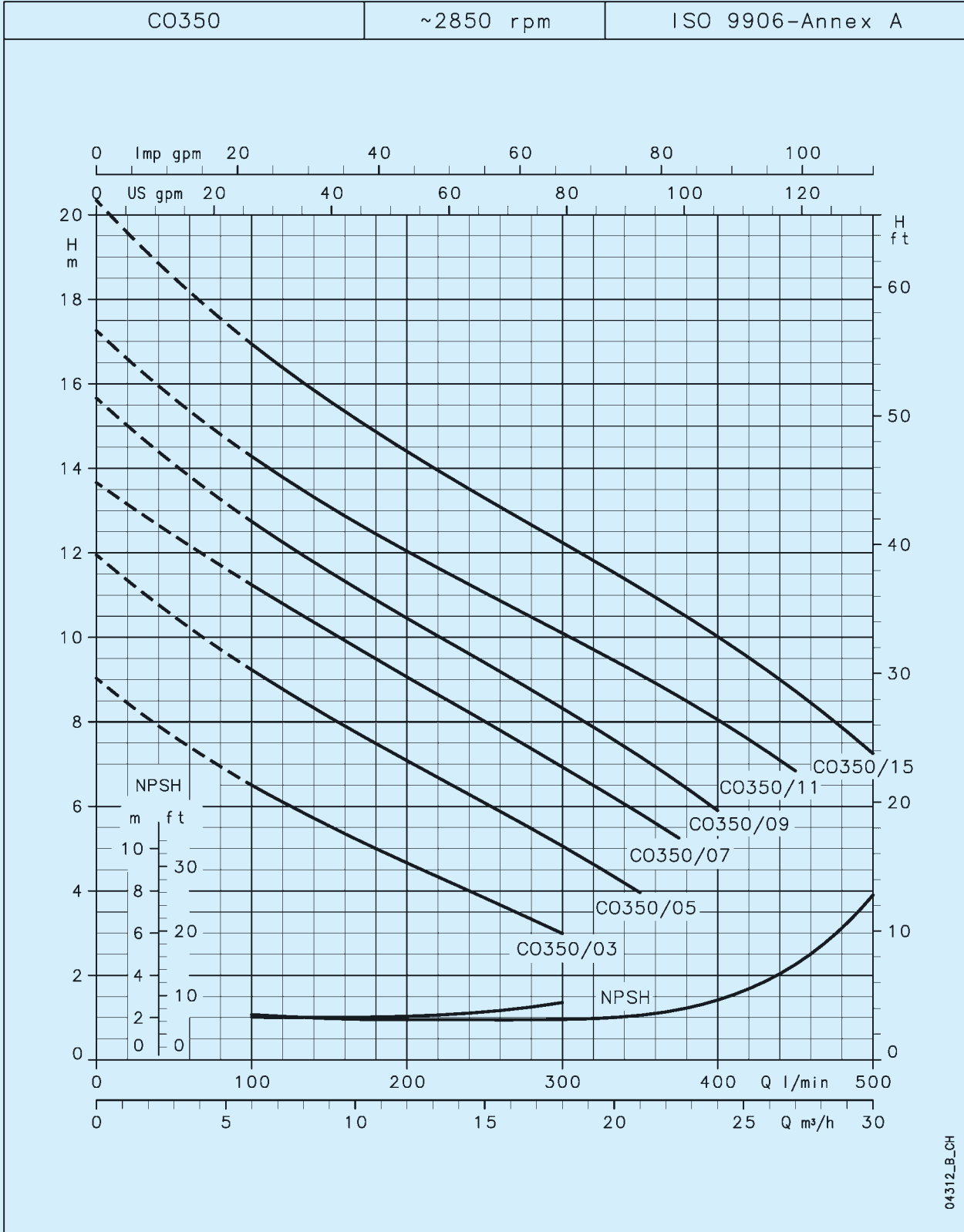
PUMP TYPE SINGLE-PHASE	INPUT POWER*	INPUT CURRENT*	CAPACITOR
		220-240 V	
	kW	A	µF / 450 V
COM350/03	0.57	2.63	14
COM350/05	0.88	4.25	16
COM350/07	1.02	4.67	20
COM350/09	1.21	5.46	25
COM350/11	1.75	7.85	30
COM350/15	2.04	9.21	40
COM500/15	2.02	9.12	40
COM500/22	2.71	12.1	50
-	-	-	-

* Maximum value in specified range

PUMP TYPE THREE-PHASE	INPUT POWER*	INPUT CURRENT*	INPUT CURRENT*
		220-240 V	380-415 V
	kW	A	A
CO 350/03	0.57	2.48	1.43
CO 350/05	0.79	2.7	1.56
CO 350/07	1	3.57	2.06
CO 350/09	1.13	4.21	2.43
CO 350/11	1.69	5.2	3
CO 350/15	1.98	6.3	3.64
CO 500/15	1.96	6.27	3.62
CO 500/22	2.73	9.06	5.23
CO 500/30	3.97	11.7	6.78

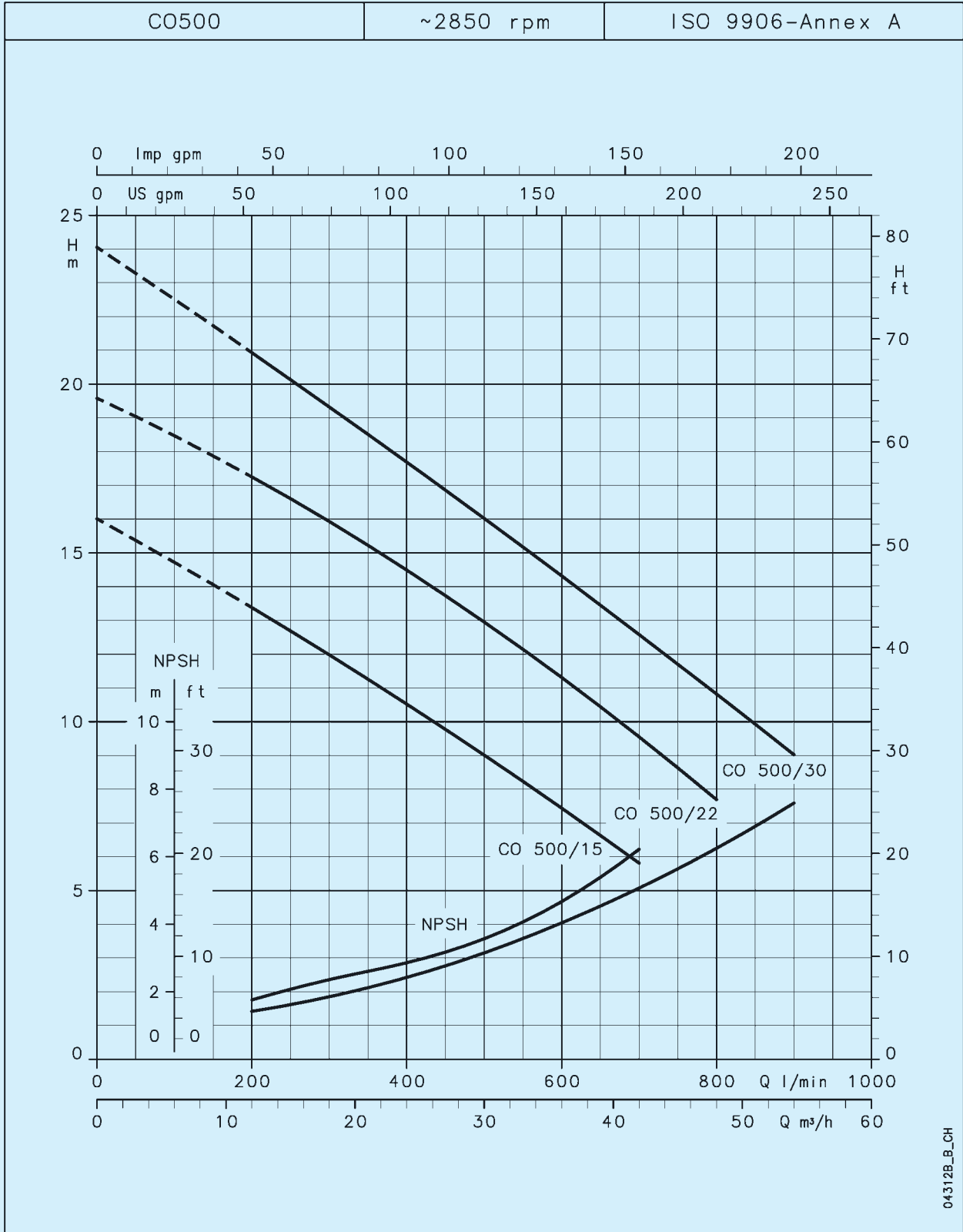
co-2p50_a_te

**CO350 SERIES
HYDRAULIC PERFORMANCE TABLE AT 2850 rpm 50 Hz**



These performances are valid for liquids with density $\rho = 1.0 \text{ kg/dm}^3$ and kinematic viscosity $\gamma = 1 \text{ mm}^2/\text{sec}$.

**CO500 SERIES
OPERATING CHARACTERISTICS AT 2850 rpm 50 Hz**

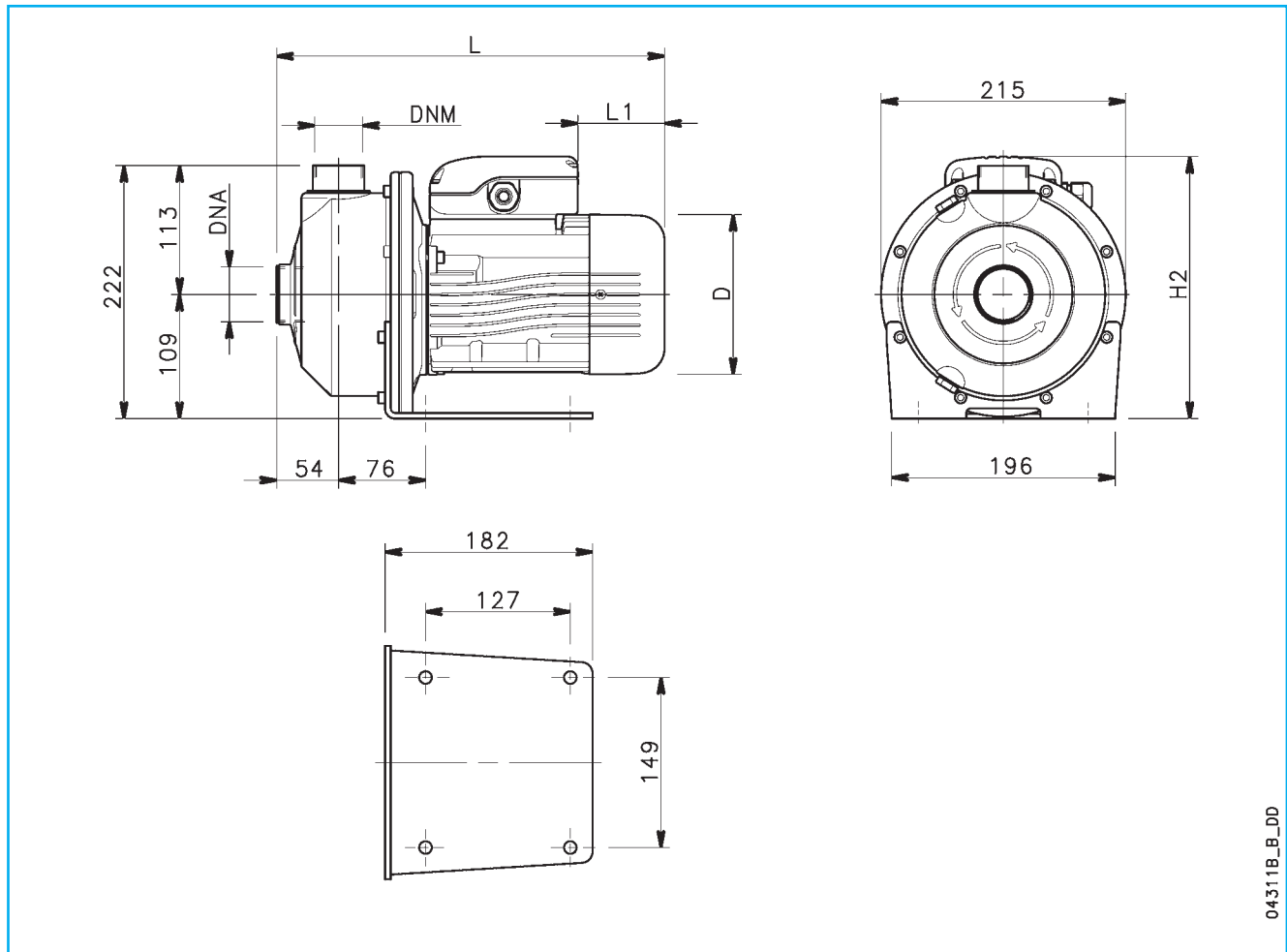


These performances are valid for liquids with density $\rho = 1.0 \text{ kg/dm}^3$ and kinematic viscosity $\gamma = 1 \text{ mm}^2/\text{sec}$.

CO

04312B_B_CH

DIMENSIONS AND WEIGHTS, CO SERIES



PUMP TYPE	DIMENSIONS (mm)				DNA	DNM	WEIGHT kg
	D	H2	L	L1			
COM 350/03	120	220	325	62	Rp 1½	Rp ¼	10
COM 350/05	140	230	339	76	Rp 1½	Rp ¼	11.9
COM 350/07	140	230	339	76	Rp 1½	Rp ¼	12.6
COM 350/09	140	239	339	31	Rp 1½	Rp ¼	13.2
COM 350/11	156	246	385	69	Rp 1½	Rp ¼	14.5
COM 350/15	156	246	385	69	Rp 1½	Rp ¼	16.2
COM 500/15	156	246	385	69	Rp 2	Rp ½	16.2
COM 500/22	176	230	416	114	Rp 2	Rp ½	17.8
CO 350/03	120	220	325	62	Rp 1½	Rp ¼	10
CO 350/05	140	230	339	76	Rp 1½	Rp ¼	11.9
CO 350/07	140	230	339	76	Rp 1½	Rp ¼	12.6
CO 350/09	140	230	339	76	Rp 1½	Rp ¼	12.2
CO 350/11	156	238	385	114	Rp 1½	Rp ¼	14.5
CO 350/15	156	238	385	114	Rp 1½	Rp ¼	16.2
CO 500/15	156	238	385	114	Rp 2	Rp ½	16.2
CO 500/22	156	238	385	114	Rp 2	Rp ½	17.8
CO 500/30	176	230	416	149	Rp 2	Rp ½	22

co-2p50_a_td