

SINGLEBOX DOUBLEBOX SERIES

PREFABRICATED LIFTING STATIONS WITH ENTRAINED SOLIDS WASTE WATER

The ideal solution when domestic wastewater must be delivered to sewer mains located at a higher level, or where gravity drainage is not possible.

SPECIFICATIONS

- The pumping station, installed in the basement or buried outdoors, collects domestic effluent (toilet included) without any need for initial treatment.
 - **SINGLEBOX** consists of a **230-litre** polyethylene basin housing a vortex (DLV) or single-channel (DL) sewage pump, a control box and float. It is a complete pumping station equipped with a lowering device.
 - Where greater capacity is required use **DOUBLEBOX**, a prefabricated lifting station which has **twice the capacity of Biobox (450 litres)** and is designed to house two pumps. The operating principle is the same but it produces higher heads.
 - The system consists of:
 - 230-litre** (450 for Doublebox) polyethylene basin with screw down lid.
 - Cable glands** for power supply cords (and float) and installation of cables under the cover.
 - 2" delivery pipe.**
 - Six inlets** for discharge or ventilation.
 - DOMO or DL submersible pump**, vortex or channel type.
 - Lowering device.**
 - Vent** or emergency drain **plug.**
 - Control box.**
 - IP 68 protection.
- Accessories available on request:
 - Pump kit available to be put into box
 - Ball valve
 - Alarm float.
 - For operating characteristics (delivery – head) see DOMO and DL pump section in this catalogue.



SINGLEBOX TABLE

SINGLEBOX	CHARACTERISTICS				FEATURED COMPONENTS		ACCESSORIES			
	kw	HP	Q max (l/min)	H max (m)	Control panel QDR Float switch pre-assembled on pump	Float switch (5-m cable)	Non-return valve	Emergency float switch	Stirn	Flashing light
SINGLEBOX DOMO 7	0.55	0.75	320	10.7	TWIN CHANNEL	X	X			
SINGLEBOX DOMO 7VX	0.55	0.75	260	9.1	VORTEX	X	X			
SINGLEBOX DOMO 10	0.75	1	500	10.1	TWIN CHANNEL	X	X			
SINGLEBOX DOMO 10VX	0.75	1	400	7.7	VORTEX	X	X			
SINGLEBOX DOMO 15	1.1	1.5	600	12.7	TWIN CHANNEL	X	X			
SINGLEBOX DOMO 15VX	1.1	1.5	450	9.1	VORTEX	X	X			
SINGLEBOX DOMO 7T	0.55	0.75	320	10.7	TWIN CHANNEL	X	X	X	X	X
SINGLEBOX DOMO 7VXT	0.55	0.75	260	9.1	VORTEX	X	X	X	X	X
SINGLEBOX DOMO 10T	0.75	1	500	10.1	TWIN CHANNEL	X	X	X	X	X
SINGLEBOX DOMO 10VXT	0.75	1	400	7.7	VORTEX	X	X	X	X	X
SINGLEBOX DOMO 15T	1.1	1.5	600	12.7	TWIN CHANNEL	X	X	X	X	X
SINGLEBOX DOMO 15VXT	1.1	1.5	450	9.1	VORTEX	X	X	X	X	X
SINGLEBOX DOMO 20T	1.5	2	670	14.8	TWIN CHANNEL	X	X	X	X	X
SINGLEBOX DOMO 20VXT	1.5	2	550	11	VORTEX	X	X	X	X	X
SINGLEBOX DOMO 10	0.75	1	500	10.1	TWIN CHANNEL	X	X			
SINGLEBOX DOMO 10VX	0.75	1	400	7.7	VORTEX	X	X			
SINGLEBOX DOMO 15	1.1	1.5	600	12.7	TWIN CHANNEL	X	X			
SINGLEBOX DOMO 15VX	1.1	1.5	450	9.1	VORTEX	X	X			
SINGLEBOX DOMO 10T	0.75	1	500	10.1	TWIN CHANNEL	X	X	X	X	X
SINGLEBOX DOMO 10VXT	0.75	1	400	7.7	VORTEX	X	X	X	X	X
SINGLEBOX DOMO 15T	1.1	1.5	600	12.7	TWIN CHANNEL	X	X	X	X	X
SINGLEBOX DOMO 15VXT	1.1	1.5	450	9.1	VORTEX	X	X	X	X	X
SINGLEBOX DOMO 20T	1.5	2	670	14.8	TWIN CHANNEL	X	X	X	X	X
SINGLEBOX DOMO 20VXT	1.5	2	550	11	VORTEX	X	X	X	X	X
SINGLEBOX DLM 80	0.6	0.8	350	7.6	SINGLE CHANNEL	X	X			
SINGLEBOX DLM 90	0.6	0.8	450	9.7	SINGLE CHANNEL	X	X			
SINGLEBOX DLM 109	0.6	0.8	300	7.2	VORTEX	X	X			
SINGLEBOX DLM 109	1.1	1.5	600	18.3	SINGLE CHANNEL	X	X			
SINGLEBOX DLVM 100	1.1	1.5	500	10.6	VORTEX	X	X			
SINGLEBOX DL 80	0.6	0.8	350	7.6	SINGLE CHANNEL	X	X	X	X	X
SINGLEBOX DL 90	0.6	0.8	450	9.7	SINGLE CHANNEL	X	X	X	X	X
SINGLEBOX DL 109	0.6	0.8	300	7.2	VORTEX	X	X	X	X	X
SINGLEBOX MINI VORTEX	1.1	1.5	500	14.1	SINGLE CHANNEL	X	X	X	X	X
SINGLEBOX DL 105	1.1	1.5	600	18.3	SINGLE CHANNEL	X	X	X	X	X
SINGLEBOX DLV 100	1.1	1.5	500	10.6	VORTEX	X	X	X	X	X
SINGLEBOX VORTEX	1.1	1.5	500	8.4	VORTEX	X	X	X	X	X
SINGLEBOX DL 125	1.5	2	700	21.9	SINGLE CHANNEL	X	X	X	X	X
SINGLEBOX DLV 115	1.5	2	600	13.1	VORTEX	X	X	X	X	X

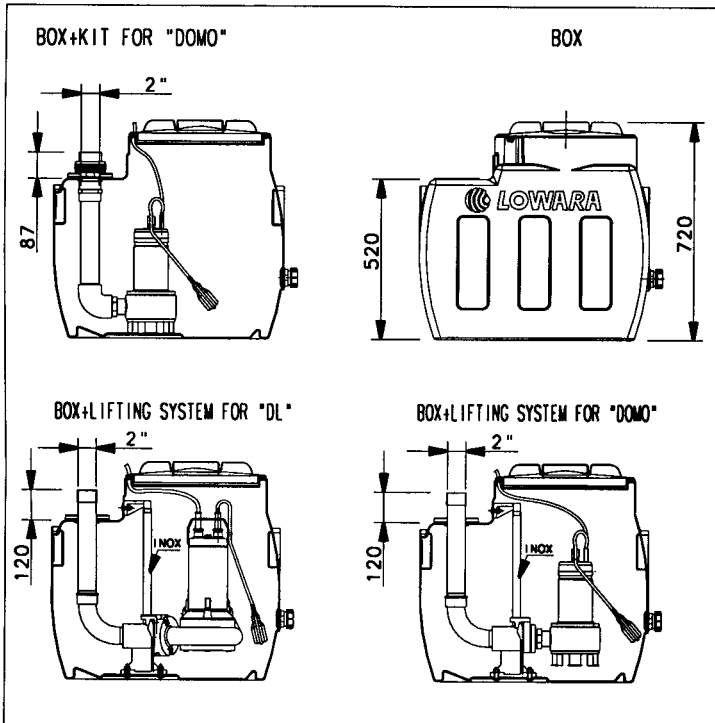
Notes: Single-phase model pumps come with start capacitor, overload protection, float switch and cord with plug. Versions with control panel and accessories are available on request.

DOUBLEBOX TABLE

DOUBLEBOX	CHARACTERISTICS				FEATURED COMPONENTS		ACCESSORIES			
	kw	HP	Q max (l/min)	H max (m)	Control panel Float switch pre-assembled on pump	Float switch (5-m cable)	Non-return valve	Emergency float switch	Stirn	Flashing light
DOUBLEBOX DOMO 7	2x0.55	2x0.75	640	10.7	TWIN CHANNEL	X	X			
DOUBLEBOX DOMO 7VX	2x0.55	2x0.75	520	9.1	VORTEX	X	X			
DOUBLEBOX DOMO 10	2x0.75	2x1	1000	10.1	TWIN CHANNEL	X	X			
DOUBLEBOX DOMO 10VX	2x0.75	2x1	800	7.7	VORTEX	X	X			
DOUBLEBOX DOMO 15	2x1.1	2x1.5	1200	12.7	TWIN CHANNEL	X	X			
DOUBLEBOX DOMO 15VX	2x1.1	2x1.5	900	9.1	VORTEX	X	X			
DOUBLEBOX DOMO 7T	2x0.55	2x0.75	640	10.7	TWIN CHANNEL	X	X	X	X	X
DOUBLEBOX DOMO 7VXT	2x0.55	2x0.75	520	9.1	VORTEX	X	X	X	X	X
DOUBLEBOX DOMO 10T	2x0.75	2x1	1000	10.1	TWIN CHANNEL	X	X	X	X	X
DOUBLEBOX DOMO 10VXT	2x0.75	2x1	800	7.7	VORTEX	X	X	X	X	X
DOUBLEBOX DOMO 15T	2x1.1	2x1.5	1200	12.7	TWIN CHANNEL	X	X	X	X	X
DOUBLEBOX DOMO 15VXT	2x1.1	2x1.5	900	9.1	VORTEX	X	X	X	X	X
DOUBLEBOX DOMO 20T	2x1.5	2x2	1340	14.8	TWIN CHANNEL	X	X	X	X	X
DOUBLEBOX DOMO 20VXT	2x1.5	2x2	1100	11	VORTEX	X	X	X	X	X
DOUBLEBOX DOMO 10	2x0.75	2x1	1000	10.1	TWIN CHANNEL	X	X			
DOUBLEBOX DOMO 10VX	2x0.75	2x1	800	7.7	VORTEX	X	X			
DOUBLEBOX DOMO 15	2x1.1	2x1.5	1200	12.7	TWIN CHANNEL	X	X			
DOUBLEBOX DOMO 15VX	2x1.1	2x1.5	900	9.1	VORTEX	X	X			
DOUBLEBOX DOMO 10T	2x0.75	2x1	1000	10.1	TWIN CHANNEL	X	X	X	X	X
DOUBLEBOX DOMO 10VXT	2x0.75	2x1	800	7.7	VORTEX	X	X	X	X	X
DOUBLEBOX DOMO 15T	2x1.1	2x1.5	1200	12.7	TWIN CHANNEL	X	X	X	X	X
DOUBLEBOX DOMO 15VXT	2x1.1	2x1.5	900	9.1	VORTEX	X	X	X	X	X
DOUBLEBOX DOMO 20T	2x1.5	2x2	1340	14.8	TWIN CHANNEL	X	X	X	X	X
DOUBLEBOX DOMO 20VXT	2x1.5	2x2	1100	11	VORTEX	X	X	X	X	X
DOUBLEBOX DLM 80	2x0.6	2x0.8	700	7.6	SINGLE CHANNEL	X	X	X	X	X
DOUBLEBOX DLM 90	2x0.6	2x0.8	900	9.7	SINGLE CHANNEL	X	X	X	X	X
DOUBLEBOX MINI VORTEX M	2x0.6	2x0.8	600	7.2	VORTEX	X	X	X	X	X
DOUBLEBOX DLM 109	2x1.1	2x1.5	1200	18.3	SINGLE CHANNEL	X	X	X	X	X
DOUBLEBOX DLVM 100	2x1.1	2x1.5	1000	10.6	VORTEX	X	X	X	X	X
DOUBLEBOX DL 80	2x0.6	2x0.8	700	7.6	SINGLE CHANNEL	X	X	X	X	X
DOUBLEBOX DL 90	2x0.6	2x0.8	900	9.7	SINGLE CHANNEL	X	X	X	X	X
DOUBLEBOX DL 109	2x0.6	2x0.8	600	7.2	VORTEX	X	X	X	X	X
DOUBLEBOX DL 105	2x1.1	2x1.5	1000	14.1	SINGLE CHANNEL	X	X	X	X	X
DOUBLEBOX DLV 100	2x1.1	2x1.5	1200	18.3	SINGLE CHANNEL	X	X	X	X	X
DOUBLEBOX VORTEX	2x1.1	2x1.5	1000	10.6	VORTEX	X	X	X	X	X
DOUBLEBOX DL 125	2x1.5	2x2	1400	21.9	SINGLE CHANNEL	X	X	X	X	X
DOUBLEBOX DLV 115	2x1.5	2x2	1200	13.1	VORTEX	X	X	X	X	X

Notes: Single-phase model pumps come with start capacitor, overload protection, float switch and cord with plug. Versions with control panel and accessories are available on request. * The panel for the single-phase versions is 9QDRM2. The panel for the three-phase versions is 9QDR2.

VERSIONS



MODELS

