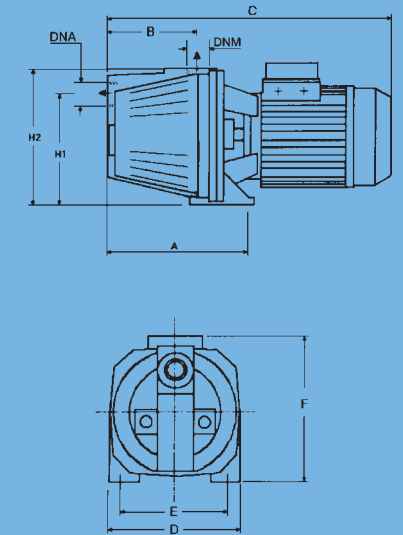
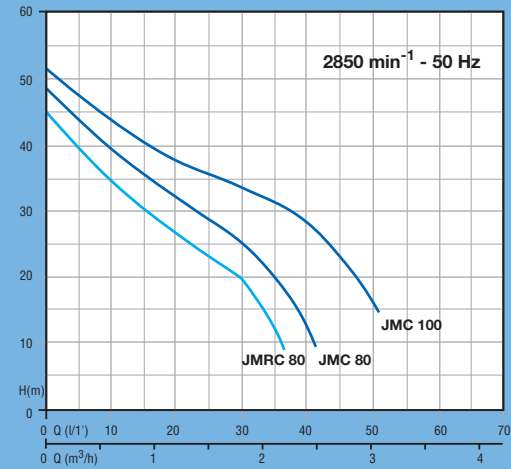




per caratteristiche-varianti costruttive pag. 70 - for features schedule-constructural variances pag. 70



TIPO - TYPE		P ₂ nom.		P ₁ (kW) max.		AMPERE		Q = portata - débit - capacity - Fördermenge - caudal					
1 ~	3 ~	HP	kW	1 ~	3 ~	1 ~	3 ~	Prevalenza manometrica totale in m. C.A. Hauteur manométrique totale en m. - Total head in meters w.c. Förderhöhe m. - Altura de impulsión manométrica total en m.					
230 V - 50 Hz	230/400 V - 50 Hz							1 x 230 V	3 x 400 V	m³/h	0.6	1.2	1.8
JMRC 80	JMRC† 80	0.8	0.59	0.78	0.79	3.6	1.3	35	27	20.5	11.5	-	-
JMC 80	JMC† 80	0.8	0.59	0.79	0.79	3.7	1.4	39.5	32	25	20.5	12.5	-
JMC 100	JMC† 100	1	0.74	0.98	1	4.6	2.2	44.5	37.5	32	29	27	15.5

TIPO TYPE	Dimensioni mm Dimensions mm Dimensions mm Masstabelle mm Dimensiones mm						Dimensioni imballo mm Dimensions d'emballage mm Packing dimensions mm Verpackungsmasse mm Dimensiones emballaje mm						Peso Poids Weight Gewicht Peso	
	A	B	C	D	E	F	H1	H2	DNA	DNM	I	L	M	kg
JMRC 80	170	98	353	180	140	192	155	195	1"G	1"G	400	210	235	9.5
JMC 80	170	98	365	180	140	202	155	195	1"G	1"G	400	210	235	10.7
JMC 100	170	98	365	180	140	202	155	195	1"G	1"G	400	210	235	11.7

• serie JMC
elettropompe autoadescanti
1 girante



• serie JMC
electropompes auto-amorçantes
1 turbine

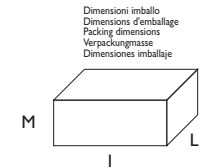


• serie JMC
self priming electric pumps
1 impeller



• baureihe JMC
Selbstansaugende Elektropumpen
1 Laufrad

• serie JMC
electrobombas autocebantes
1 rodete



AUTOADESCANTI self priming electric pumps 5

ELETTROPOMPE