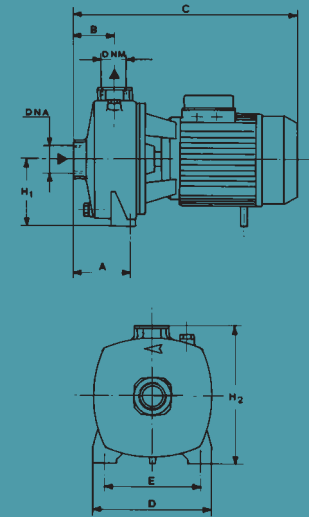
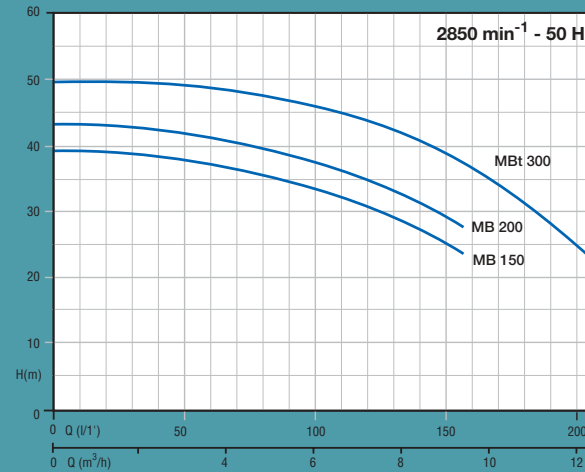




per caratteristiche-varianti costruttive pag. 70 - for features schedule-constructional variances pag. 70



TIPO - TYPE		P ₂ nom.		P ₁ (kW) max.		AMPERE		Q = portata - débit - capacity - Fördermenge - caudal					
1 ~	3 ~					1 ~	3 ~	m³/h	0	3	6	9	12
230 V - 50 Hz	230/400 V - 50 Hz	HP	kW	1 ~	3 ~	1 x 230 V	3 x 400 V	l/1'	0	50	100	150	200
MB 150	MBt 150	1.5	1.1	1.60	1.55	7.7	2.9	39.5	38	34	25	-	-
MB 200	MBt 200	2.2	1.65	2	1.90	9.5	3.6	43	42	37.5	29	-	-
-	MBt 300	3	2.2	-	2.60	-	4.8	49	47	46	38.5	25	-

TIPO TYPE	Dimensioni mm Dimensions mm Dimensions mm Masstabelle mm Dimensiones mm							Dimensioni imballo mm Dimensions d'emballage mm Packing dimensions mm Verpackungsmasse mm Dimensiones embalaje mm					Peso Poids Weight Gewicht Peso
	A	B	C	D	E	H1	H2	DNA	DNM	I	L	M	Kg
MB 150	108	73	385	205	165	115	242	1"1/2G	1"1/4G	405	225	295	21.2
MB 200	108	73	385	205	165	115	242	1"1/2G	1"1/4G	405	225	295	21.7
MB 300	108	73	385	205	165	115	242	1"1/2G	1"1/4G	405	225	295	21.7

• **serie MB**
elettropompe centrifughe
2 granti



• **serie MB**
electropompes centrifuges
2 turbines

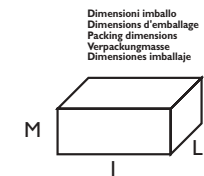


• **serie MB**
centrifugal electric pumps
2 impellers



• **baureihe MB**
Kreisel-Elektropumpen
2 Laufräder

• **serie MB**
electrobombas centrifugas
2 rodetes



MULTIGIRANTE
multistage electric pumps