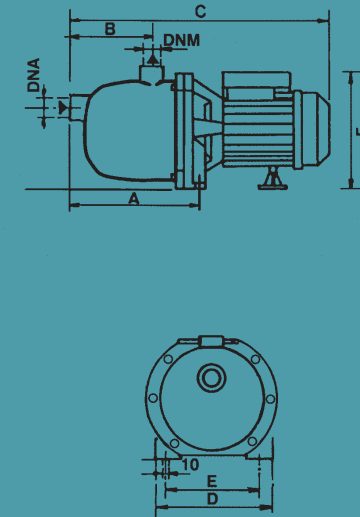
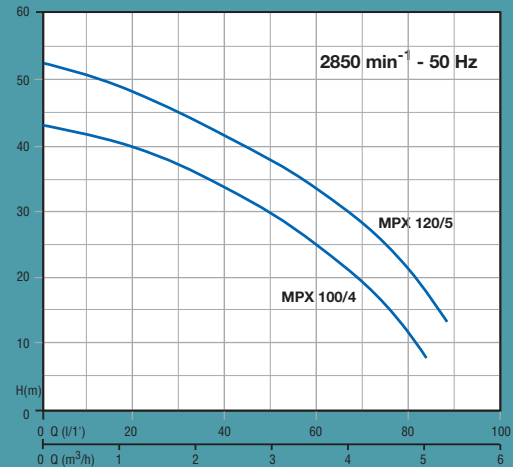




per caratteristiche-varianti costruttive pag. 70 - for features schedule-constructural variances pag. 70



| TIPO - TYPE | | P ₂ nom. | | P ₁ (kW) max. | | AMPERE | | Q = portata - débit - capacity - Fördermenge - caudal | | | | | | |
|------------------|-------------------|---------------------|------|--------------------------|------|--------|-----|---|------|-----|-----|-----|-----|-----|
| 1 ~ | 3 ~ | | | | | 1 ~ | 3 ~ | m³/h | 0 | 0.6 | 1.2 | 2.4 | 3.6 | 4.8 |
| 230 V - 50 Hz | 230/400 V - 50 Hz | HP | kW | 1 ~ | 3 ~ | 1 ~ | 3 ~ | l/1' | 0 | 10 | 20 | 40 | 60 | 80 |
| MPX 100/4 | MPX† 100/4 | 1 | 0.74 | 1.07 | 1.1 | 5 | 1.9 | 43 | 41.5 | 40 | 34 | 25 | 12 | |
| MPX 120/5 | MPX† 120/5 | 1.2 | 0.88 | 1.27 | 1.33 | 6.1 | 2.3 | 53 | 50.5 | 48 | 42 | 34 | 21 | |

| TIPO TYPE | Dimensioni mm Dimensions mm Dimensions mm Masstabelle mm Dimensiones mm | | | | | | Dimensioni imballo mm Dimensions d'emballage mm Packing dimensions mm Verpackungsmasse mm Dimensiones emballaje mm | | | | | | Peso Poids Weight Gewicht Peso kg | |
|------------------|---|-----|-----|-----|-----|-----|--|-----|------|------|-----|-----|--|------|
| | A | B | C | D | E | F | H1 | H2 | DNA | DNM | I | L | | M |
| MPX 100/4 | 208 | 128 | 410 | 175 | 140 | 215 | 153 | 210 | 1" G | 1" G | 430 | 210 | 235 | 11 |
| MPX 120/5 | 208 | 128 | 410 | 175 | 140 | 215 | 153 | 210 | 1" G | 1" G | 430 | 210 | 235 | 10.8 |

• **serie MPX**

eletropompe multicellulari autoadescenti



• **serie MPX**

electropompes multicellulaires auto-amorçantes



• **serie MPX**

self priming multistage electric pumps

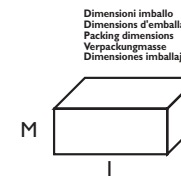


• **baureihe MPX**

Selbstansaugende Elektropumpen

• **serie MPX**

electrobombas multicelulares autocebantes



Dimensioni imballo
Dimensions d'emballage
Packing dimensions
Verpackungsmasse
Dimensiones imballaje

**MULTICELLULARI
AUTOADESCANTI**
self priming multistage electric pumps